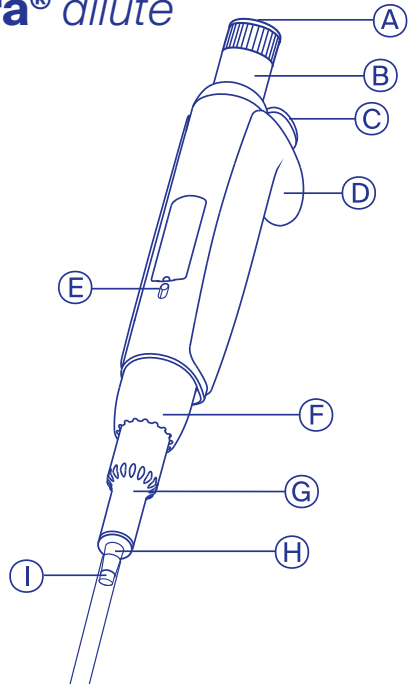


Quick Guide



Acura® dilute 810



- A** Smartie cap **B** Plunger button **C** Ejector button
- D** Finger rest **E** Swift-set calibration system **F** Ejector nut
- G** Ejector screw **H** Nozzle **I** Nozzle filter

Related items	Packaging	Cat. No.
Qualitix® Straw tips, PP, sterilised (190 mm; Ø 4 mm)	40x 25 / pk	313.1119.40
Work station for 3 pipettes	1 / pk	320.340
Shelf pipette holder 332 for 2 instruments (transparent blue)	1 / pk	320.332
Nozzle protection filters, PE	100 / bag	322.810
Protective calibration seal stickers	100 / bag	1.825.100



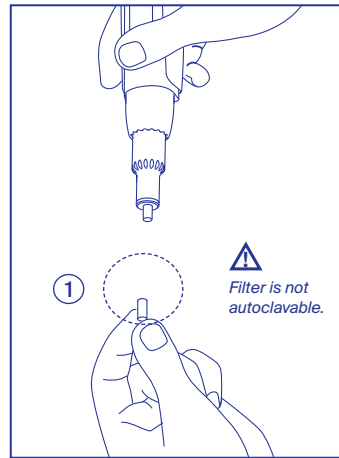
Package contents

Pipette, sample of nozzle filters and sample of Qualitix® straw tips, silicone grease tube, QC certificate, Quick Guide.

⚠ Safety precautions

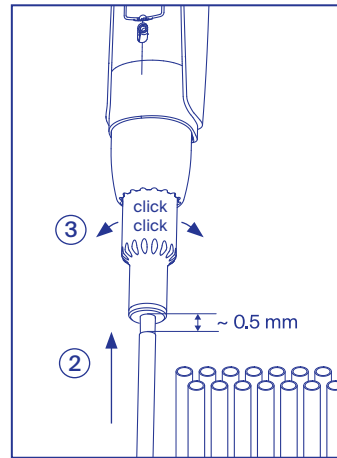
- Read carefully and observe manufacturer's instructions and guidelines.
- Refer to and follow regulations about handling of potentially hazardous reagents.
- Before use, check instrument for good working conditions.
- Do not use harsh chemicals (such as acetone) to clean instrument.
- Mind possible hand fatigue during serial pipetting and its medical consequences (such as repetitive strain injuries, RSI).
- Use only with straw tips for liquid distribution in a laboratory.

Step-by-step instructions



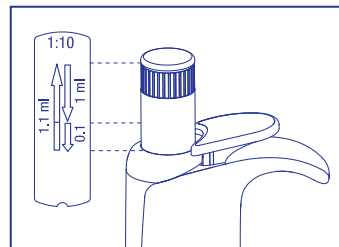
Preparing for work

1) Fit protection filter on pipette nozzle.



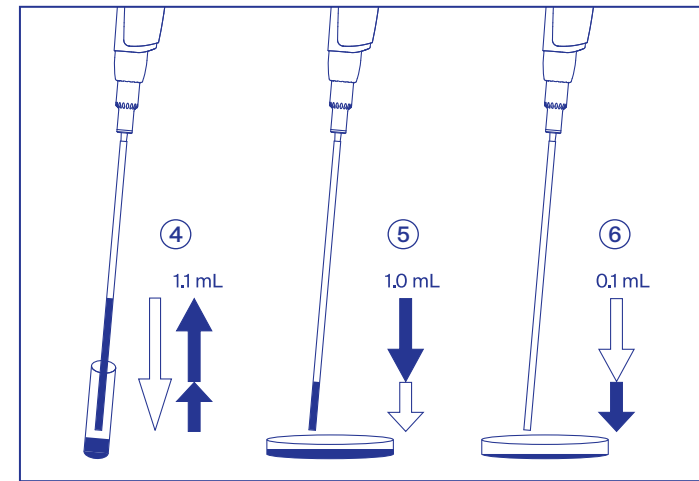
Straw fitting and ejector adjustment

2) Hold instrument vertically and fit straw by pressing.
3) Use Justip™ to move ejector up or down to adapt to straw. Distance of 0.5 mm between straw and ejector is recommended.



Working with pre-set volumes

Acura® dilute 810 operates with 2 pre-set and pre-calibrated volumes – 1 mL and 0.1 mL



Preparing 1:10 dilutions

- 4) Press plunger button in full (second stop) and release slowly to aspirate 1.1 mL.
- 5) Press plunger to first stop to dispense 1 mL.
- 6) Without releasing the plunger, press it to second stop and dispense remaining 0.1 mL.

Most common troubleshooting

Observation	Possible cause	Solution
Straws not fitting the nozzle	Inadequate position of ejector	Adjust position of Justip™ tip ejector
	Inadequate straws	Use original or other compatible straws
Plunger sticking or dragging	Dirty plunger	Disassemble and clean plunger, grease if necessary
Liquid not aspirated	Dry residues block pipette nozzle	Disassemble and clean
	Dirty or wet nozzle filter	Change nozzle filter
Liquid dripping from the straw	Lack of tightness	Check straw fitting; change damaged nozzle or tightness parts

Scan to access operating instructions



EN / DE / FR