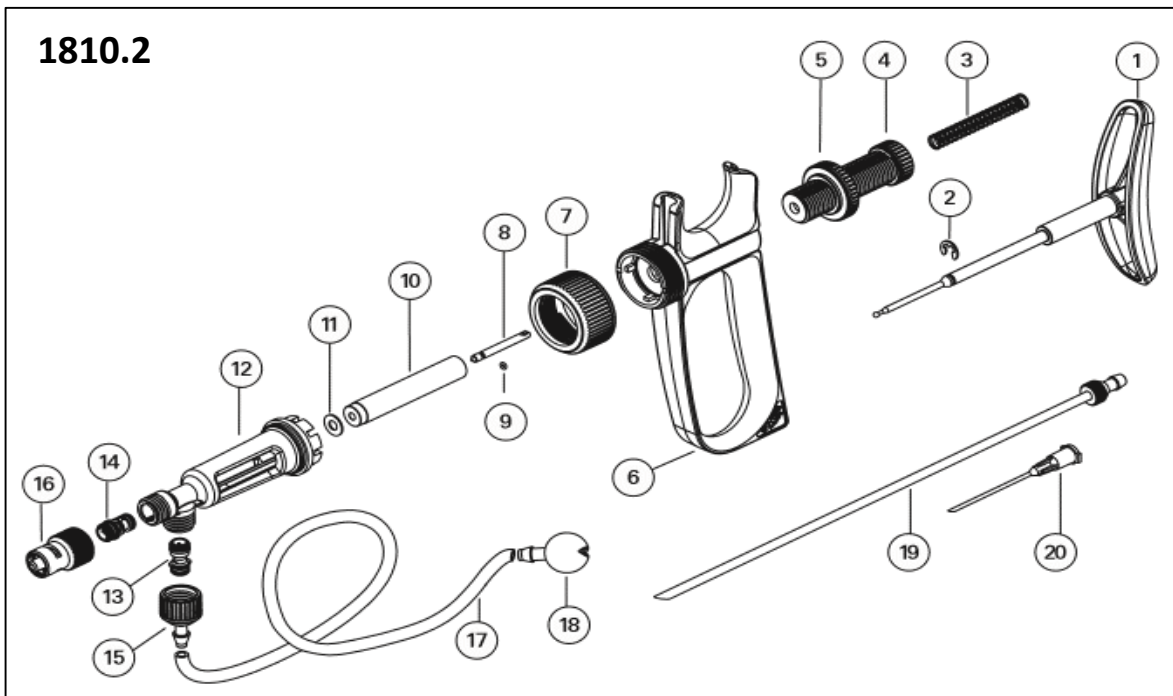
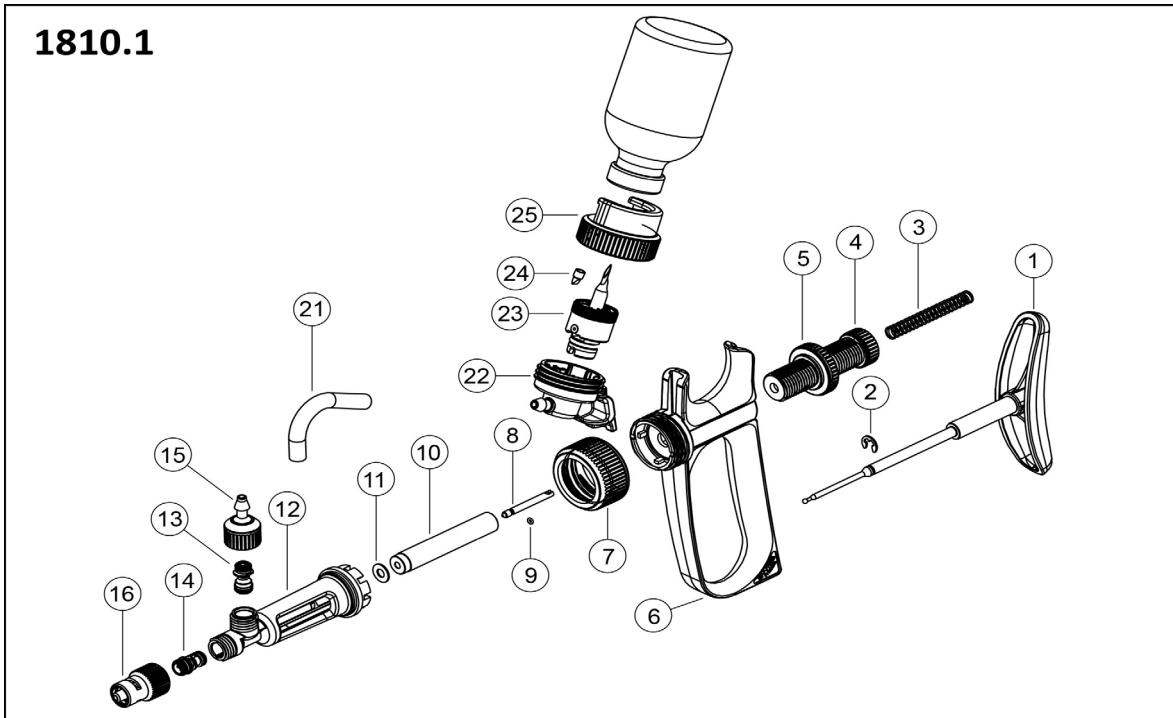


Spare-parts for self-refilling syringes *ultra* 1810

Exploded drawing



Draw ref.	Cat. No.	Description	Comment	Nominal size
Spare parts for self-refilling syringe ultra 1810				
# 01	1810.932	Plunger rod green (incl. Part #2, clip)		0.1 / 0.2 mL
	1810.935			0.3 / 0.5 mL
	1810.936			1 mL
	1810.937			2 mL
	1810.1932	Plunger rod blue (incl. Part #2, clip)		0.1 / 0.2 mL
	1810.1935			0.3 / 0.5 mL

	1810.1936				1 mL
	1810.1937				2 mL
# 02	1810.835	Clip (10 pces)			
# 03	1810.961	Spring, rod (incl. Part #2, clip)			0.1 to 0.5 mL
	1810.962				1 mL
	1810.963				2 mL
# 04	1810.545	Socket			0.1 to 0.5 mL
	1810.546				1 / 2 mL
# 05	1810.552	Nut, socket			
# 06	1810.562	Handle green			
	1810.1562	Handle blue			
# 07	1810.522	Nut, casing			
# 08	1810.981	Plunger, piston (incl. Part #9, O-ring)	stainless steel		0.1 mL
	1810.982				0.2 mL
	1810.983				0.3 mL
	1810.585	Plunger, piston (no O-ring)			0.5 mL
	1810.586				1 mL
	1810.587				2 mL
# 09	1810.951	O-ring (10 pces)	<i>Available as a set</i>	FPM	0.1 mL
	1810.952				0.2 mL
	1810.953				0.3 mL
	1810.971	Guide for O-ring (10 pces)	<i>Available as a set</i>		0.1 mL
	1810.972				0.2 mL
	1810.973				0.3 mL
# 10	01810.001	Barrel (6 pces)		Glass	0.1 mL
	01810.002				0.2 mL
	01810.003				0.3 mL
	01810.005				0.5 mL
	01810.01				1 mL
	01810.02				2 mL
# 11	1810.921	Barrel washer (10 pces)		FPM	0.1 mL
	1810.922				0.2 mL
	1810.923				0.3 mL
	1810.925				0.5 mL
	1810.926				1 mL
	1910.927				2 mL
# 12	1810.901	Casing green			0.1 mL
	1810.902				0.2 mL
	1810.903				0.3 mL
	1810.905				0.5 mL
	1810.906				1 mL
	1810.907				2 mL
	1810.1901	Casing blue			0.1 mL
	1810.1902				0.2 mL
	1810.1903				0.3 mL
	1810.1905				0.5 mL
	1810.1906				1 mL
	1810,1907				2 mL
# 13	1810.915	Cartridge valve, intake	<i>Available as a set</i>	red	0.1 to 0.5 mL
	1810.916			yellow	1 / 2 mL
# 14	1810.945	Cartridge valve, outlet	<i>Available as a set</i>	red	0.1 to 0.5 mL
	1810.926			yellow	1 / 2 mL

# 15	1810.635	Feeding connector green		0.1 to 0.5 mL
	1810.636			1 / 2 mL
	1810.1635	Feeding connector blue		0.1 to 0.5 mL
	1810.1636			1 / 2 mL
# 16	1810.645	Connector, Luer Lock	Chrome plated brass	0.1 to 0.5 mL
	1810.646			1 / 2 mL
# 17	1810.705	Feed tubing	1meter / pk	0.1 to 0.3 mL
	1810.710		by the meter	0.1 to 0.3 mL
	187.705		1meter / pk	0.5 to 2 mL
	187.710		by the meter	0.5 to 2 mL
# 18	187.596	Sinker	Chrome plated brass	
# 19	187.592	Feed needle	Chrome plated brass	
# 20	187.933	Vent cannula, plastic (10 pces)		
# 21	1810.716	Tubing connector	1 / pk	
# 22	1810.371	Vial holder body		
# 23	1810.386	Needle assembly		
# 24	1810.975	Duckbill	10 / pk	
# 25	1810.374	Bottle neck		